



380 SERIES EASY REEVE® HOOK BLOCKS

- Wide range of products available.
 - Capacity: 5 to 80 Tons - Larger Models Available.
 - Sheave Sizes: 10" to 20".
 - Wireline Sizes: 7/16" to 1-1/4".
- All single point shank hooks are genuine Crosby®, forged alloy steel, Quenched and Tempered, and have the patented **QUIC-CHECK®** markings (Duplex hooks are available on most sizes).
- Design factor of 4 to 1 (unless otherwise noted).
- All Easy Reeve® Blocks are furnished standard with Roller Bearings.
- Reeving Guides Standard – All Models.
- Blocks thru 25 Tons use 319N hooks with S-4320 latches.
- Heavy Duty Positive Locking (PL) Latch – Models: 30 Tons and larger.
- Sheave lubrication through center pin - separate lube channel to each bearing.
- Sheaves fully protected by side plates.
- Dual action hook (swings and rotates).
- Repair parts available through worldwide distribution network.
- All Easy Reeve® blocks 16" and larger are furnished with McKissick® Roll-Forged sheaves with flame hardened grooves.
- Manufactured by an ISO 9001 and API Q1 certified facility.
- "Look for the Orange Hook . . . the mark of genuine McKissick® quality".



OPTIONS AVAILABLE

- Duplex Hooks
- Swivel Tee and Shackle Assemblies
- Sheave Shrouds
- Anti-Rotation Hook-Locking Device
- Plate Steel Cheek Weights
- Third party testing with Certification available upon request.

Center "Dead End" to promote better block travel under various reeving configurations.

The patented McKissick Split-Nut® is the standard retention system for standard crane blocks up to 100 Tons.

For custom orders contact our Block Hotline at: (800) 727-1555, or reference the special request form on page 454.

Sheave Guards that open to allow block reeving without removing the rope end fitting.



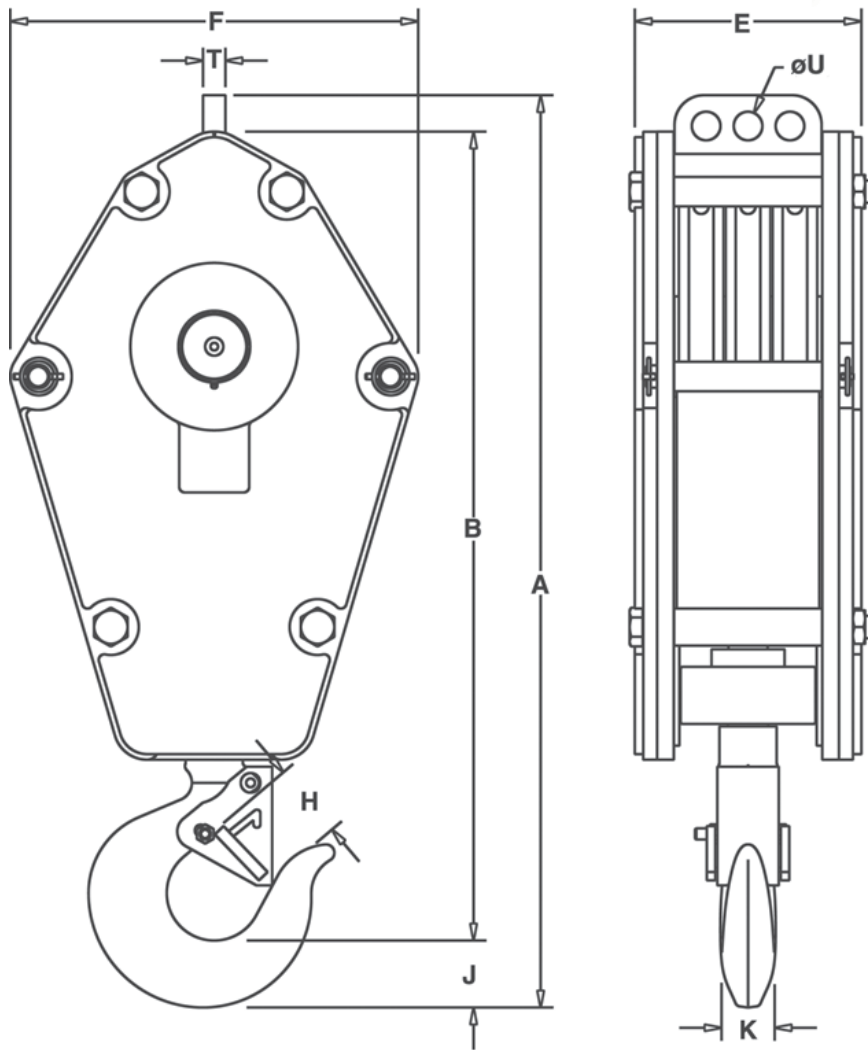
Flat Bottom side plate for self standing during reeving process.



380 Series
Easy Reeve®
Hook Block

Forged Crosby® alloy steel hooks with patented **QUIC-CHECK®** markings and Heavy Duty positive locking hook latch.

The patented McKissick Split-Nut® is the standard retention system for standard crane blocks up to 100 Tons.



**Dead End Chart
Double, Triple & Quad Sheave Blocks**

Wireline Size (in.)	Dimensions (in.)		Recommended Wedge Socket	
	T Thickness	U Hole Diameter	McKissick® US-422 / US-422T Utility Socket	
			Stock No.	Size
7/16	1.00	1.28	1044309+	US4 7/16
1/2	1.00	1.28	1044318+	US4 1/2
9/16	1.00	1.28	1044336+	US5 9/16
5/8	1.00	1.28	1044345+	US5 5/8
3/4	1.25	1.66	1044363+	US6 3/4
7/8	1.25	1.66	1038580	US7 7/8
1	1.25	1.66	1044417+	US8 1
1-1/8	1.75	2.56	1044426+	US10 1-1/8
1-1/4	1.75	2.56	1044435+	US10 1-1/4

+ US-422T TERMINATOR™ Style.

McKissick® Easy Reeve® Crane Blocks



McKissick® Easy Reeve® Crane Blocks

- Specify Wireline size when ordering.
- Dead End Dimensions on page 326 of this catalog.
- All sizes are RFID EQUIPPED.

Model No.	Inquiry Stock No.	Working Load Limit (Tons)*	A Overall Length (in.)	B Net Length (in.)	E Block Thickness (in.)	F Block Width (in.)	H Throat Opening with Latch (in.)	J Hook Thickness (in.)	K Hook Width (in.)	Standard Wireline Size (in.)	Weight Each (lbs.) †
5 Tons											
E5S10L	2014001	5	35.78	31.06	6.84	14.50	1.91	2.59	1.94	7/16 1/2 9/16 5/8	236
E5S10M	2014003	5	35.78	31.06	8.84	14.50	1.91	2.59	1.94	7/16 1/2 9/16 5/8	342
E5S10H	2014004	5	35.78	31.06	10.34	14.50	1.91	2.59	1.94	7/16 1/2 9/16 5/8	424
10 Tons											
E10S10L	2014011	10	35.78	31.06	6.84	14.50	1.91	2.59	1.94	7/16 1/2 9/16 5/8	236
E10S10M	2014013	10	35.78	31.06	8.84	14.50	1.91	2.59	1.94	7/16 1/2 9/16 5/8	342
E10S10H	2014014	10	35.78	31.06	10.34	14.50	1.91	2.59	1.94	7/16 1/2 9/16 5/8	424
E10S14L	2014021	10	39.40	34.69	6.84	18.25	1.91	2.59	1.94	1/2 9/16 5/8 3/4	276
E10S14M	2014023	10	39.40	34.69	8.84	18.25	1.91	2.59	1.94	1/2 9/16 5/8 3/4	427
E10S14H	2014024	10	39.40	34.69	10.34	18.25	1.91	2.59	1.94	1/2 9/16 5/8 3/4	542
E10S16L	2014031	10	43.15	38.44	6.84	20.50	1.91	2.59	1.94	9/16 5/8 3/4 7/8	329
E10S16M	2014033	10	43.15	38.44	8.84	20.50	1.91	2.59	1.94	9/16 5/8 3/4 7/8	527
E10S16H	2014034	10	43.15	38.44	10.34	20.50	1.91	2.59	1.94	9/16 5/8 3/4 7/8	678
E10D10L	2014041	10	35.78	31.06	6.84	14.50	1.91	2.59	1.94	7/16 1/2 9/16 5/8	268
E10D10M	2014043	10	35.78	31.06	8.84	14.50	1.91	2.59	1.94	7/16 1/2 9/16 5/8	374
E10D10H	2014044	10	35.78	31.06	10.34	14.50	1.91	2.59	1.94	7/16 1/2 9/16 5/8	450
E10D12L	2014051	10	37.28	32.56	6.84	16.50	1.91	2.59	1.94	1/2 9/16 5/8 3/4	278
E10D12M	2014053	10	37.28	32.56	8.84	16.50	1.91	2.59	1.94	1/2 9/16 5/8 3/4	402
E10D12H	2014054	10	37.28	32.56	10.34	16.50	1.91	2.59	1.94	1/2 9/16 5/8 3/4	497
E10T10L	2014061	10	35.78	31.06	8.14	14.50	1.91	2.59	1.94	7/16 1/2 9/16 5/8	318
E10T10M	2014063	10	35.78	31.06	10.14	14.50	1.91	2.59	1.94	7/16 1/2 9/16 5/8	424
E10T10H	2014064	10	35.78	31.06	11.64	14.50	1.91	2.59	1.94	7/16 1/2 9/16 5/8	506
E10T12L	2014071	10	37.28	32.56	8.14	16.50	1.91	2.59	1.94	1/2 9/16 5/8 3/4	323
E10T12M	2014073	10	37.28	32.56	10.14	16.50	1.91	2.59	1.94	1/2 9/16 5/8 3/4	446
E10T12H	2014074	10	37.28	32.56	11.64	16.50	1.91	2.59	1.94	1/2 9/16 5/8 3/4	541
E10Q14L	2014081	10	39.40	34.69	10.38	18.25	1.91	2.59	1.94	1/2 9/16 5/8 3/4	427
E10Q14M	2014083	10	39.40	34.69	12.38	18.25	1.91	2.59	1.94	1/2 9/16 5/8 3/4	588
E10Q14H	2014084	10	39.40	34.69	13.88	18.25	1.91	2.59	1.94	1/2 9/16 5/8 3/4	703
15 Tons											
E15S10L	2014091	15	35.78	31.06	6.84	14.50	1.91	2.59	1.94	7/16 1/2 9/16 5/8	236
E15S10M	2014093	15	35.78	31.06	8.84	14.50	1.91	2.59	1.94	7/16 1/2 9/16 5/8	342
E15S10H	2014094	15	35.78	31.06	10.34	14.50	1.91	2.59	1.94	7/16 1/2 9/16 5/8	424
E15S12L	2014101	15	37.28	32.56	6.84	16.50	1.91	2.59	1.94	1/2 9/16 5/8 3/4	251
E15S12M	2014103	15	37.28	32.56	8.84	16.50	1.91	2.59	1.94	1/2 9/16 5/8 3/4	375
E15S12H	2014104	15	37.28	32.56	10.34	16.50	1.91	2.59	1.94	1/2 9/16 5/8 3/4	470
E15S14L	2014111	15	39.40	34.69	6.84	18.25	1.91	2.59	1.94	1/2 9/16 5/8 3/4	276
E15S14M	2014113	15	39.40	34.69	8.84	18.25	1.91	2.59	1.94	1/2 9/16 5/8 3/4	427
E15S14H	2014114	15	39.40	34.69	10.34	18.25	1.91	2.59	1.94	1/2 9/16 5/8 3/4	542
E15S16L	2014121	15	43.15	38.44	6.84	20.50	1.91	2.59	1.94	9/16 5/8 3/4 7/8	329
E15S16M	2014123	15	43.15	38.44	8.84	20.50	1.91	2.59	1.94	9/16 5/8 3/4 7/8	527
E15S16H	2014124	15	43.15	38.44	10.34	20.50	1.91	2.59	1.94	9/16 5/8 3/4 7/8	678
E15D10L	2014131	15	35.78	31.06	6.84	14.50	1.91	2.59	1.94	7/16 1/2 9/16 5/8	268
E15D10M	2014133	15	35.78	31.06	8.84	14.50	1.91	2.59	1.94	7/16 1/2 9/16 5/8	374
E15D10H	2014134	15	35.78	31.06	10.34	14.50	1.91	2.59	1.94	7/16 1/2 9/16 5/8	456
E15D12L	2014141	15	37.28	32.56	6.84	16.50	1.91	2.59	1.94	1/2 9/16 5/8 3/4	278
E15D12M	2014143	15	37.28	32.56	8.84	16.50	1.91	2.59	1.94	1/2 9/16 5/8 3/4	402
E15D12H	2014144	15	37.28	32.56	10.34	16.50	1.91	2.59	1.94	1/2 9/16 5/8 3/4	497
E15T10L	2014151	15	35.78	31.06	8.14	14.50	1.91	2.59	1.94	7/16 1/2 9/16 5/8	318
E15T10M	2014153	15	35.78	31.06	10.14	14.50	1.91	2.59	1.94	7/16 1/2 9/16 5/8	424
E15T10H	2014154	15	35.78	31.06	11.64	14.50	1.91	2.59	1.94	7/16 1/2 9/16 5/8	506
E15T12L	2014161	15	37.28	32.56	8.14	16.50	1.91	2.59	1.94	1/2 9/16 5/8 3/4	323
E15T12M	2014163	15	37.28	32.56	10.14	16.50	1.91	2.59	1.94	1/2 9/16 5/8 3/4	446
E15T12H	2014164	15	37.28	32.56	11.64	16.50	1.91	2.59	1.94	1/2 9/16 5/8 3/4	541
E15Q14L	2014171	15	39.40	34.69	10.38	18.25	1.91	2.59	1.94	1/2 9/16 5/8 3/4	427
E15Q14M	2014173	15	39.40	34.69	12.38	18.25	1.91	2.59	1.94	1/2 9/16 5/8 3/4	588
E15Q14H	2014174	15	39.40	34.69	13.88	18.25	1.91	2.59	1.94	1/2 9/16 5/8 3/4	703
20 Tons											
E20S10L	2014181	20	37.69	32.59	6.84	14.50	2.75	2.97	2.38	7/16 1/2 9/16 5/8	249
E20S10M	2014182	20	37.69	32.59	8.84	14.50	2.75	2.97	2.38	7/16 1/2 9/16 5/8	355
E20S10H	2014184	20	37.69	32.59	10.34	14.50	2.75	2.97	2.38	7/16 1/2 9/16 5/8	436
E20S14L	2014191	20	41.31	36.22	6.84	18.25	2.75	2.97	2.38	1/2 9/16 5/8 3/4	293

McKISSICK® BLOCKS

McKissick® Easy Reeve® Crane Blocks

McKissick® Easy Reeve® Crane Blocks

Model No.	Inquiry Stock No.	Working Load Limit (Tons)*	A Overall Length (in.)	B Net Length (in.)	E Block Thickness (in.)	F Block Width (in.)	H Throat Opening with Latch (in.)	J Hook Thickness (in.)	K Hook Width (in.)	Standard Wireline Size (in.)	Weight Each (lbs.) †
E20S14M	2014193	20	41.31	36.22	8.84	18.25	2.75	2.97	2.38	1/2 9/16 5/8 3/4	443
E20S14H	2014194	20	41.31	36.22	10.34	18.25	2.75	2.97	2.38	1/2 9/16 5/8 3/4	559
E20S18L	2014201	20	47.06	41.97	6.84	22.25	2.75	2.97	2.38	1/2 9/16 5/8 3/4	391
E20S18M	2014203	20	47.06	41.97	9.09	22.25	2.75	2.97	2.38	1/2 9/16 5/8 3/4	654
E20S18H	2014204	20	47.06	41.97	10.59	22.25	2.75	2.97	2.38	1/2 9/16 5/8 3/4	833
E20D12L	2014211	20	39.19	34.09	6.84	16.50	2.75	2.97	2.38	1/2 9/16 5/8 3/4	291
E20D12M	2014213	20	39.19	34.09	8.84	16.50	2.75	2.97	2.38	1/2 9/16 5/8 3/4	414
E20D12H	2014214	20	39.19	34.09	10.34	16.50	2.75	2.97	2.38	1/2 9/16 5/8 3/4	509
E20D14L	2014221	20	41.31	36.22	6.84	18.25	2.75	2.97	2.38	1/2 9/16 5/8 3/4	326
E20D14M	2014223	20	41.31	36.22	8.84	18.25	2.75	2.97	2.38	1/2 9/16 5/8 3/4	477
E20D14H	2014224	20	41.31	36.22	10.34	18.25	2.75	2.97	2.38	1/2 9/16 5/8 3/4	592
E20T12L	2014231	20	39.19	34.09	8.14	16.50	2.75	2.97	2.38	1/2 9/16 5/8 3/4	334
E20T12M	2014233	20	39.19	34.09	10.14	16.50	2.75	2.97	2.38	1/2 9/16 5/8 3/4	458
E20T12H	2014234	20	39.19	34.09	11.64	16.50	2.75	2.97	2.38	1/2 9/16 5/8 3/4	553
E20T14L	2014241	20	41.31	36.22	8.14	18.25	2.75	2.97	2.38	1/2 9/16 5/8 3/4	377
E20T14M	2014243	20	41.31	36.22	10.14	18.25	2.75	2.97	2.38	1/2 9/16 5/8 3/4	527
E20T14H	2014244	20	41.31	36.22	11.64	18.25	2.75	2.97	2.38	1/2 9/16 5/8 3/4	643
E20Q12L	2014251	20	39.19	34.09	10.38	16.50	2.75	2.97	2.38	1/2 9/16 5/8 3/4	401
E20Q12M	2014253	20	39.19	34.09	12.38	16.50	2.75	2.97	2.38	1/2 9/16 5/8 3/4	525
E20Q12H	2014254	20	39.19	34.09	13.88	16.50	2.75	2.97	2.38	1/2 9/16 5/8 3/4	618
E20Q14L	2014261	20	41.31	36.22	10.38	18.25	2.75	2.97	2.38	1/2 9/16 5/8 3/4	450
E20Q14M	2014263	20	41.31	36.22	12.38	18.25	2.75	2.97	2.38	1/2 9/16 5/8 3/4	601
E20Q14H	2014264	20	41.31	36.22	13.88	18.25	2.75	2.97	2.38	1/2 9/16 5/8 3/4	715
25 Tons											
E25S16L	2014271	25	45.06	39.97	6.84	20.50	2.75	2.97	2.38	9/16 5/8 3/4 7/8	342
E25S16M	2014273	25	45.06	39.97	8.84	20.50	2.75	2.97	2.38	9/16 5/8 3/4 7/8	539
E25S16H	2014274	25	45.06	39.97	10.34	20.50	2.75	2.97	2.38	9/16 5/8 3/4 7/8	691
E25S18L	2014281	25	47.06	41.97	6.84	22.25	2.75	2.97	2.38	5/8 3/4 7/8 1	391
E25S18M	2014283	25	47.06	41.97	9.09	22.25	2.75	2.97	2.38	5/8 3/4 7/8 1	653
E25S18H	2014284	25	47.06	41.97	10.59	22.25	2.75	2.97	2.38	5/8 3/4 7/8 1	833
E25D12L	2014291	25	39.19	34.09	6.84	16.50	2.75	2.97	2.38	1/2 9/16 5/8 3/4	291
E25D12M	2014293	25	39.19	34.09	8.84	16.50	2.75	2.97	2.38	1/2 9/16 5/8 3/4	414
E25D12H	2014294	25	39.19	34.09	10.34	16.50	2.75	2.97	2.38	1/2 9/16 5/8 3/4	509
E25D14L	2014301	25	41.31	36.22	6.84	18.25	2.75	2.97	2.38	1/2 9/16 5/8 3/4	326
E25D14M	2014303	25	41.31	36.22	8.84	18.25	2.75	2.97	2.38	1/2 9/16 5/8 3/4	477
E25D14H	2014304	25	41.31	36.22	10.34	18.25	2.75	2.97	2.38	1/2 9/16 5/8 3/4	592
E25T12L	2014311	25	39.19	34.09	8.14	16.50	2.75	2.97	2.38	1/2 9/16 5/8 3/4	334
E25T12M	2014313	25	39.19	34.09	10.14	16.50	2.75	2.97	2.38	1/2 9/16 5/8 3/4	458
E25T12H	2014314	25	39.19	34.09	11.64	16.50	2.75	2.97	2.38	1/2 9/16 5/8 3/4	553
E25T14L	2014321	25	41.31	36.22	8.14	18.25	2.75	2.97	2.38	1/2 9/16 5/8 3/4	369
E25T14M	2014323	25	41.31	36.22	10.14	18.25	2.75	2.97	2.38	1/2 9/16 5/8 3/4	527
E25T14H	2014324	25	41.31	36.22	11.64	18.25	2.75	2.97	2.38	1/2 9/16 5/8 3/4	643
E25Q12L	2014331	25	39.19	34.09	10.38	16.50	2.75	2.97	2.38	1/2 9/16 5/8 3/4	401
E25Q12M	2014333	25	39.19	34.09	12.38	16.50	2.75	2.97	2.38	1/2 9/16 5/8 3/4	525
E25Q12H	2014334	25	39.19	34.09	13.88	16.50	2.75	2.97	2.38	1/2 9/16 5/8 3/4	618
E25Q14L	2014341	25	41.31	36.22	10.38	18.25	2.75	2.97	2.38	1/2 9/16 5/8 3/4	450
E25Q14M	2014343	25	41.31	36.22	12.38	18.25	2.75	2.97	2.38	1/2 9/16 5/8 3/4	601
E25Q14H	2014344	25	41.31	36.22	13.88	18.25	2.75	2.97	2.38	1/2 9/16 5/8 3/4	715
30 Tons											
E30S18L	2014351	30	51.56	46.19	6.84	22.25	3.25	3.62	3.00	5/8 3/4 7/8 1	456
E30S18M	2014353	30	51.56	46.19	9.09	22.25	3.25	3.62	3.00	5/8 3/4 7/8 1	718
E30S18H	2014354	30	51.56	46.19	10.59	22.25	3.25	3.62	3.00	5/8 3/4 7/8 1	898
E30S20L	2014356	30	55.06	46.19	6.84	24.50	3.25	3.62	3.00	3/4 7/8 1, 1-1/8	557
E30S20M	2014358	30	55.06	46.19	8.84	24.50	3.25	3.62	3.00	3/4 7/8 1, 1-1/8	867
E30S20H	2014359	30	55.06	46.19	10.34	24.50	3.25	3.62	3.00	3/4 7/8 1, 1-1/8	1103
E30D14L	2014361	30	43.81	38.44	6.84	18.25	3.25	3.62	3.00	1/2 9/16 5/8 3/4	377
E30D14M	2014363	30	43.81	38.44	8.84	18.25	3.25	3.62	3.00	1/2 9/16 5/8 3/4	528
E30D14H	2014364	30	43.81	38.44	10.34	18.25	3.25	3.62	3.00	1/2 9/16 5/8 3/4	643
E30D18L	2014371	30	51.56	46.19	6.84	22.25	3.25	3.62	3.00	5/8 3/4 7/8 1	516
E30D18M	2014373	30	51.56	46.19	9.09	22.25	3.25	3.62	3.00	5/8 3/4 7/8 1	779
E30D18H	2014374	30	51.56	46.19	10.59	22.25	3.25	3.62	3.00	5/8 3/4 7/8 1	959
E30T14L	2014381	30	45.81	40.44	8.14	18.25	3.25	3.62	3.00	1/2 9/16 5/8 3/4	437
E30T14M	2014383	30	45.81	40.44	10.14	18.25	3.25	3.62	3.00	1/2 9/16 5/8 3/4	587
E30T14H	2014384	30	45.81	40.44	11.64	18.25	3.25	3.62	3.00	1/2 9/16 5/8 3/4	703
E30T16L	2014391	30	49.56	44.19	8.14	20.50	3.25	3.62	3.00	9/16 5/8 3/4 7/8	505
E30T16M	2014393	30	49.56	44.19	10.14	20.50	3.25	3.62	3.00	9/16 5/8 3/4 7/8	703
E30T16H	2014394	30	49.56	44.19	11.64	20.50	3.25	3.62	3.00	9/16 5/8 3/4 7/8	854
E30Q14L	2014401	30	45.81	40.44	10.38	18.25	3.25	3.62	3.00	1/2 9/16 5/8 3/4	503
E30Q14M	2014403	30	45.81	40.44	12.38	18.25	3.25	3.62	3.00	1/2 9/16 5/8 3/4	654
E30Q14H	2014404	30	45.81	40.44	13.88	18.25	3.25	3.62	3.00	1/2 9/16 5/8 3/4	769

McKissick® Easy Reeve® Crane Blocks



McKissick® Easy Reeve® Crane Blocks

Model No.	Inquiry Stock No.	Working Load Limit (Tons)*	A Overall Length (in.)	B Net Length (in.)	E Block Thickness (in.)	F Block Width (in.)	H Throat Opening with Latch (in.)	J Hook Thickness (in.)	K Hook Width (in.)	Standard Wireline Size (in.)	Weight Each (lbs.) †
35 Tons											
E35S20L	2014406	35	59.12	52.81	6.84	24.50	3.00	4.56	3.63	3/4 7/8 1, 1-1/8	557
E35S20M	2014408	35	59.12	52.81	8.84	24.50	3.00	4.56	3.63	3/4 7/8 1, 1-1/8	867
E35S20H	2014409	35	59.12	52.81	10.34	24.50	3.00	4.56	3.63	3/4 7/8 1, 1-1/8	1103
E35D18L	2014411	35	55.62	49.31	6.84	22.25	3.00	4.56	3.63	5/8 3/4 7/8 1	568
E35D18M	2014413	35	55.62	49.31	9.09	22.25	3.00	4.56	3.63	5/8 3/4 7/8 1	831
E35D18H	2014414	35	55.62	49.31	10.59	22.25	3.00	4.56	3.63	5/8 3/4 7/8 1	1010
E35T14L	2014421	35	49.87	43.56	8.14	18.25	3.00	4.56	3.63	1/2 9/16 5/8 3/4	488
E35T14M	2014423	35	49.87	43.56	10.14	18.25	3.00	4.56	3.63	1/2 9/16 5/8 3/4	639
E35T14H	2014424	35	49.87	43.56	11.64	18.25	3.00	4.56	3.63	1/2 9/16 5/8 3/4	754
E35T16L	2014431	35	53.62	47.31	8.14	20.50	3.00	4.56	3.63	9/16 5/8 3/4 7/8	557
E35T16M	2014433	35	53.62	47.31	10.14	20.50	3.00	4.56	3.63	9/16 5/8 3/4 7/8	755
E35T16H	2014434	35	53.62	47.31	11.64	20.50	3.00	4.56	3.63	9/16 5/8 3/4 7/8	906
E35Q14L	2014441	35	49.87	43.56	10.38	18.25	3.00	4.56	3.63	1/2 9/16 5/8 3/4	555
E35Q14M	2014443	35	49.87	43.56	12.38	18.25	3.00	4.56	3.63	1/2 9/16 5/8 3/4	706
E35Q14H	2014444	35	49.87	43.56	13.88	18.25	3.00	4.56	3.63	1/2 9/16 5/8 3/4	820
40 Tons											
E40T14L	2014451	40	51.94	45.13	8.14	18.25	3.38	5.06	3.72	1/2 9/16 5/8 3/4	545
E40T14M	2014453	40	51.94	45.13	10.14	18.25	3.38	5.06	3.72	1/2 9/16 5/8 3/4	695
E40T14H	2014454	40	51.94	45.13	11.64	18.25	3.38	5.06	3.72	1/2 9/16 5/8 3/4	811
E40T16L	2014461	40	55.69	48.88	8.14	20.50	3.38	5.06	3.72	9/16 5/8 3/4 7/8	614
E40T16M	2014463	40	55.69	48.88	10.14	20.50	3.38	5.06	3.72	9/16 5/8 3/4 7/8	821
E40T16H	2014464	40	55.69	48.88	11.64	20.50	3.38	5.06	3.72	9/16 5/8 3/4 7/8	963
E40T18L	2014471	40	57.69	50.88	8.14	22.25	3.38	5.06	3.72	5/8 3/4 7/8 1	709
E40T18M	2014473	40	57.69	50.88	10.39	22.25	3.38	5.06	3.72	5/8 3/4 7/8 1	972
E40T18H	2014474	40	57.69	50.88	11.89	22.25	3.38	5.06	3.72	5/8 3/4 7/8 1	1096
E40Q14L	2014481	40	51.94	45.13	10.38	18.25	3.38	5.06	3.72	1/2 9/16 5/8 3/4	611
E40Q14M	2014483	40	51.94	45.13	12.38	18.25	3.38	5.06	3.72	1/2 9/16 5/8 3/4	762
E40Q14H	2014484	40	51.94	45.13	13.88	18.25	3.38	5.06	3.72	1/2 9/16 5/8 3/4	877
E40Q16L	2014491	40	55.69	48.88	10.38	20.50	3.38	5.06	3.72	9/16 5/8 3/4 7/8	691
E40Q16M	2014493	40	55.69	48.88	12.38	20.50	3.38	5.06	3.72	9/16 5/8 3/4 7/8	889
E40Q16H	2014494	40	55.69	48.88	13.88	20.50	3.38	5.06	3.72	9/16 5/8 3/4 7/8	1040
45 Tons											
E45T14L	2014501	45	51.94	45.13	8.14	18.25	3.38	5.06	3.72	1/2 9/16 5/8 3/4	545
E45T14M	2014503	45	51.94	45.13	10.14	18.25	3.38	5.06	3.72	1/2 9/16 5/8 3/4	695
E45T14H	2014504	45	51.94	45.13	11.64	18.25	3.38	5.06	3.72	1/2 9/16 5/8 3/4	811
E45T16L	2014511	45	55.69	48.88	8.14	20.50	3.38	5.06	3.72	9/16 5/8 3/4 7/8	614
E45T16M	2014513	45	55.69	48.88	10.14	20.50	3.38	5.06	3.72	9/16 5/8 3/4 7/8	821
E45T16H	2014514	45	55.69	48.88	11.64	20.50	3.38	5.06	3.72	9/16 5/8 3/4 7/8	963
E45T18L	2014521	45	57.69	50.88	8.14	22.25	3.38	5.06	3.72	5/8 3/4 7/8 1	709
E45T18M	2014523	45	57.69	50.88	10.39	22.25	3.38	5.06	3.72	5/8 3/4 7/8 1	972
E45T18H	2014524	45	57.69	50.88	11.89	22.25	3.38	5.06	3.72	5/8 3/4 7/8 1	1151
E45Q14L	2014531	45	51.94	45.13	10.38	18.25	3.38	5.06	3.72	1/2 9/16 5/8 3/4	611
E45Q14M	2014533	45	51.94	45.13	12.38	18.25	3.38	5.06	3.72	1/2 9/16 5/8 3/4	762
E45Q14H	2014534	45	51.94	45.13	13.88	18.25	3.38	5.06	3.72	1/2 9/16 5/8 3/4	877
E45Q16L	2014541	45	55.69	48.88	10.38	20.50	3.38	5.06	3.72	9/16 5/8 3/4 7/8	691
E45Q16M	2014543	45	55.69	48.88	12.38	20.50	3.38	5.06	3.72	9/16 5/8 3/4 7/8	889
E45Q16H	2014544	45	55.69	48.88	13.88	20.50	3.38	5.06	3.72	9/16 5/8 3/4 7/8	1040
50 Tons											
E50T18L	2014551	50	63.75	55.25	11.14	22.25	4.13	6.00	4.44	5/8 3/4 7/8 1	1046
E50T18M	2014553	50	63.75	55.25	13.38	22.25	4.13	6.00	4.44	5/8 3/4 7/8 1	1308
E50T18H	2014554	50	63.75	55.25	14.88	22.25	4.13	6.00	4.44	5/8 3/4 7/8 1	1487
E50Q16L	2014561	50	61.75	53.25	13.31	20.50	4.13	6.00	4.44	9/16 5/8 3/4 7/8	1067
E50Q16M	2014563	50	61.75	53.25	15.31	20.50	4.13	6.00	4.44	9/16 5/8 3/4 7/8	1215
E50Q16H	2014564	50	61.75	53.25	16.81	20.50	4.13	6.00	4.44	9/16 5/8 3/4 7/8	1416
E50QN16L	2014571	50	61.75	53.25	14.06	20.50	4.13	6.00	4.44	9/16 5/8 3/4 7/8	1146
E50QN16M	2014573	50	61.75	53.25	16.06	20.50	4.13	6.00	4.44	9/16 5/8 3/4 7/8	1344
E50QN16H	2014574	50	61.75	53.25	17.56	20.50	4.13	6.00	4.44	9/16 5/8 3/4 7/8	1495
55 Tons											
E55T18L	2014581	55	63.75	55.25	11.14	22.25	4.13	6.00	4.44	5/8 3/4 7/8 1	1046
E55T18M	2014583	55	63.75	55.25	13.38	22.25	4.13	6.00	4.44	5/8 3/4 7/8 1	1308
E55T18H	2014584	55	63.75	55.25	14.88	22.25	4.13	6.00	4.44	5/8 3/4 7/8 1	1487
E55Q16L	2014591	55	61.75	53.25	13.31	20.50	4.13	6.00	4.44	9/16 5/8 3/4 7/8	1067
E55Q16M	2014593	55	61.75	53.25	15.31	20.50	4.13	6.00	4.44	9/16 5/8 3/4 7/8	1265
E55Q16H	2014594	55	61.75	53.25	16.81	20.50	4.13	6.00	4.44	9/16 5/8 3/4 7/8	1416
E55QN16L	2014601	55	61.75	53.25	14.06	20.50	4.13	6.00	4.44	9/16 5/8 3/4 7/8	1146
E55QN16M	2014603	55	61.75	53.25	16.06	20.50	4.13	6.00	4.44	9/16 5/8 3/4 7/8	1344
E55QN16H	2014604	55	61.75	53.25	17.56	20.50	4.13	6.00	4.44	9/16 5/8 3/4 7/8	1495

McKISSICK® BLOCKS

McKissick® Easy Reeve® Crane Blocks

McKissick® Easy Reeve® Crane Blocks

Model No.	Inquiry Stock No.	Working Load Limit (Tons)*	A Overall Length (in.)	B Net Length (in.)	E Block Thickness (in.)	F Block Width (in.)	H Throat Opening with Latch (in.)	J Hook Thickness (in.)	K Hook Width (in.)	Standard Wireline Size (in.)	Weight Each (lbs.) †
60 Tons											
E60T20L	2014611	60	67.25	58.75	11.14	24.50	4.13	6.00	4.44	3/4 7/8 1, 1-1/8	1170
E60T20M	2014613	60	67.25	58.75	13.14	24.50	4.13	6.00	4.44	3/4 7/8 1, 1-1/8	1472
E60T20H	2014614	60	67.25	58.75	14.64	24.50	4.13	6.00	4.44	3/4 7/8 1, 1-1/8	1672
E60Q18L	2014621	60	63.75	55.25	13.31	22.25	4.13	6.00	4.44	5/8 3/4 7/8 1	1148
E60Q18M	2014623	60	63.75	55.25	15.56	22.25	4.13	6.00	4.44	5/8 3/4 7/8 1	1411
E60Q18H	2014624	60	63.75	55.25	17.06	22.25	4.13	6.00	4.44	5/8 3/4 7/8 1	1590
E60QN18L	2014631	60	63.75	55.25	14.06	22.25	4.13	6.00	4.44	5/8 3/4 7/8 1	1213
E60QN18M	2014633	60	63.75	55.25	16.31	22.25	4.13	6.00	4.44	5/8 3/4 7/8 1	1476
E60QN18H	2014634	60	63.75	55.25	17.81	22.25	4.13	6.00	4.44	5/8 3/4 7/8 1	1654
E60QN20L	2014641	60	67.25	58.75	14.06	24.50	4.13	6.00	4.44	3/4 7/8 1, 1-1/8	1384
E60QN20M	2014643	60	67.25	58.75	16.06	24.50	4.13	6.00	4.44	3/4 7/8 1, 1-1/8	1686
E60QN20H	2014644	60	67.25	58.75	17.56	24.50	4.13	6.00	4.44	3/4 7/8 1, 1-1/8	1886
65 Tons											
E65T20L	2014651	65	67.25	58.75	11.14	24.50	4.13	6.00	4.44	3/4 7/8 1, 1-1/8	1170
E65T20M	2014653	65	67.25	58.75	13.14	24.50	4.13	6.00	4.44	3/4 7/8 1, 1-1/8	1472
E65T20H	2014654	65	67.25	58.75	14.64	24.50	4.13	6.00	4.44	3/4 7/8 1, 1-1/8	1672
E65Q18L	2014661	65	63.75	55.25	13.31	22.25	4.13	6.00	4.44	5/8 3/4 7/8 1	1148
E65Q18M	2014663	65	63.75	55.25	15.56	22.25	4.13	6.00	4.44	5/8 3/4 7/8 1	1411
E65Q18H	2014664	65	63.75	55.25	17.06	22.25	4.13	6.00	4.44	5/8 3/4 7/8 1	1590
E65QN18L	2014671	65	63.75	55.25	14.06	22.25	4.13	6.00	4.44	5/8 3/4 7/8 1	1213
E65QN18M	2014673	65	63.75	55.25	16.31	22.25	4.13	6.00	4.44	5/8 3/4 7/8 1	1476
E65QN18H	2014674	65	63.75	55.25	17.81	22.25	4.13	6.00	4.44	5/8 3/4 7/8 1	1654
E65QN20L	2014681	65	67.25	58.75	14.06	24.50	4.13	6.00	4.44	3/4 7/8 1, 1-1/8	1384
E65QN20M	2014683	65	67.25	58.75	16.06	24.50	4.13	6.00	4.44	3/4 7/8 1, 1-1/8	1686
E65QN20H	2014684	65	67.25	58.75	17.56	24.50	4.13	6.00	4.44	3/4 7/8 1, 1-1/8	1886
70 Tons											
E70T20L	2014691	70	74.19	65.00	11.14	24.50	5.38	6.69	4.81	3/4 7/8 1, 1-1/8	1379
E70T20M	2014693	70	74.19	65.00	13.14	24.50	5.38	6.69	4.81	3/4 7/8 1, 1-1/8	1681
E70T20H	2014694	70	74.19	65.00	14.64	24.50	5.38	6.69	4.81	3/4 7/8 1, 1-1/8	1881
E70Q18L	2014701	70	70.69	61.50	13.31	22.25	5.38	6.69	4.81	5/8 3/4 7/8 1	1450
E70Q18M	2014703	70	70.69	61.50	15.56	22.25	5.38	6.69	4.81	5/8 3/4 7/8 1	1713
E70Q18H	2014704	70	70.69	61.50	17.06	22.25	5.38	6.69	4.81	5/8 3/4 7/8 1	1892
E70QN18L	2014711	70	70.69	61.50	14.06	22.25	5.38	6.69	4.81	5/8 3/4 7/8 1	1387
E70QN18M	2014713	70	70.69	61.50	16.31	22.25	5.38	6.69	4.81	5/8 3/4 7/8 1	1650
E70QN18H	2014714	70	70.69	61.50	17.81	22.25	5.38	6.69	4.81	5/8 3/4 7/8 1	1829
E70QN20L	2014721	70	74.19	65.00	14.06	24.50	5.38	6.69	4.81	3/4 7/8 1, 1-1/8	1663
E70QN20M	2014723	70	74.19	65.00	16.06	24.50	5.38	6.69	4.81	3/4 7/8 1, 1-1/8	1965
E70QN20H	2014724	70	74.19	65.00	17.56	24.50	5.38	6.69	4.81	3/4 7/8 1, 1-1/8	2165
75 Tons											
E75T20L	2014731	75	74.19	65.00	11.14	24.50	5.38	6.69	4.81	3/4 7/8 1, 1-1/8	1379
E75T20M	2014733	75	74.19	65.00	13.14	24.50	5.38	6.69	4.81	3/4 7/8 1, 1-1/8	1681
E75T20H	2014734	75	74.19	65.00	14.64	24.50	5.38	6.69	4.81	3/4 7/8 1, 1-1/8	1881
E75Q18L	2014741	75	70.69	61.50	13.31	22.25	5.38	6.69	4.81	5/8 3/4 7/8 1	1450
E75Q18M	2014743	75	70.69	61.50	15.56	22.25	5.38	6.69	4.81	5/8 3/4 7/8 1	1713
E75Q18H	2014744	75	70.69	61.50	17.06	22.25	5.38	6.69	4.81	5/8 3/4 7/8 1	1892
E75QN18L	2014751	75	70.69	61.50	14.06	22.25	5.38	6.69	4.81	5/8 3/4 7/8 1	1387
E75QN18M	2014753	75	70.69	61.50	16.31	22.25	5.38	6.69	4.81	5/8 3/4 7/8 1	1650
E75QN18H	2014754	75	70.69	61.50	17.81	22.25	5.38	6.69	4.81	5/8 3/4 7/8 1	1829
E75QN20L	2014761	75	74.19	65.00	14.06	24.50	5.38	6.69	4.81	3/4 7/8 1, 1-1/8	1663
E75QN20M	2014763	75	74.19	65.00	16.06	24.50	5.38	6.69	4.81	3/4 7/8 1, 1-1/8	1965
E75QN20H	2014764	75	74.19	65.00	17.56	24.50	5.38	6.69	4.81	3/4 7/8 1, 1-1/8	2165
80 Tons											
E80T20L	2014771	80	74.19	65.00	11.14	24.50	5.38	6.69	4.81	3/4 7/8 1, 1-1/8	1379
E80T20M	2014773	80	74.19	65.00	13.14	24.50	5.38	6.69	4.81	3/4 7/8 1, 1-1/8	1681
E80T20H	2014774	80	74.19	65.00	14.64	24.50	5.38	6.69	4.81	3/4 7/8 1, 1-1/8	1881
E80Q18L	2014781	80	70.69	61.50	13.31	22.25	5.38	6.69	4.81	5/8 3/4 7/8 1	1450
E80Q18M	2014783	80	70.69	61.5	15.56	22.25	5.38	6.69	4.81	5/8 3/4 7/8 1	1713
E80Q18H	2014784	80	70.69	61.5	17.06	22.25	5.38	6.69	4.81	5/8 3/4 7/8 1	1892
E80QN18L	2014791	80	70.69	61.5	14.06	22.25	5.38	6.69	4.81	5/8 3/4 7/8 1	1387
E80QN18M	2014793	80	70.69	61.5	16.31	22.25	5.38	6.69	4.81	5/8 3/4 7/8 1	1650
E80QN18H	2014794	80	70.69	61.5	17.81	22.25	5.38	6.69	4.81	5/8 3/4 7/8 1	1829
E80QN20L	2014801	80	74.19	65.00	14.06	24.50	5.38	6.69	4.81	3/4 7/8 1, 1-1/8	1663
E80QN20M	2014803	80	74.19	65.00	16.06	24.50	5.38	6.69	4.81	3/4 7/8 1, 1-1/8	1965
E80QN20H	2014804	80	74.19	65.00	17.56	24.50	5.38	6.69	4.81	3/4 7/8 1, 1-1/8	2165

* Ultimate Load is 4 times the Working Load Limit.

† Additional cheek weight kits are available.